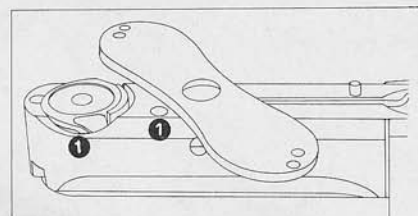
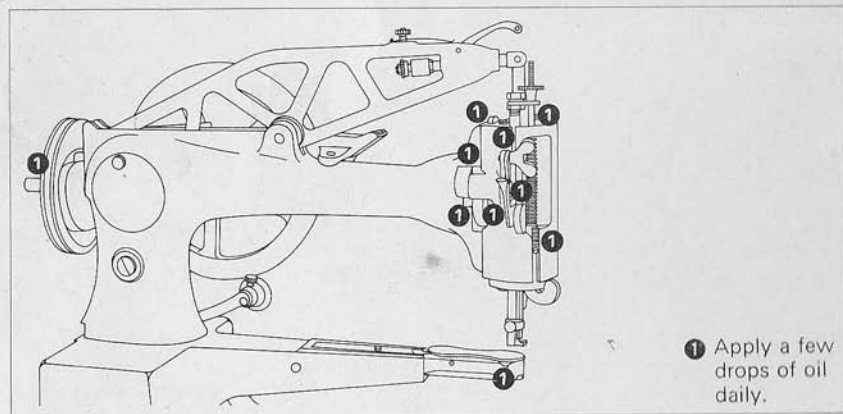
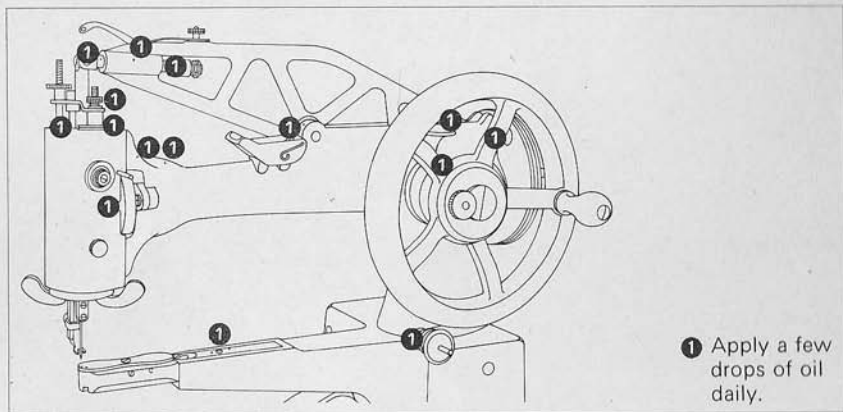


**Operator's
Guide**

SINGER

29K

Lubrication



Cleaning

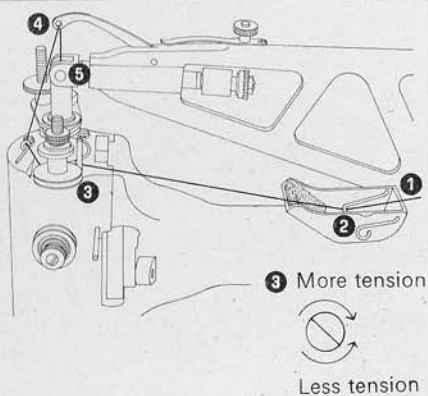
Using short bristled brush (not point of scissors or shears) remove lint or other waste from around the shuttle. Wipe the exterior of the machine with a soft cloth.

Use Singer Oil, Type 'B' or 'D' only.

Threading Needle

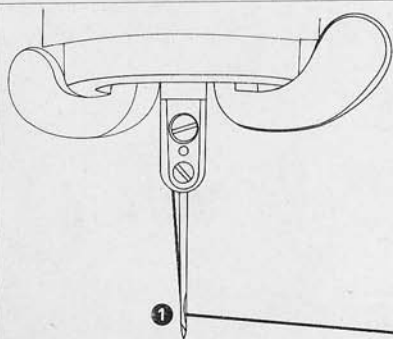
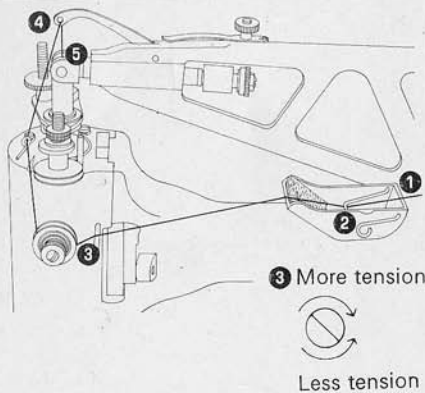
For Stitching

- 1 From unwinder
- 2 Under wire guide in oil cup.
- 3 Into tension assembly (upper).
- 4 Through top eyelet.
- 5 Down centre of presser bar.



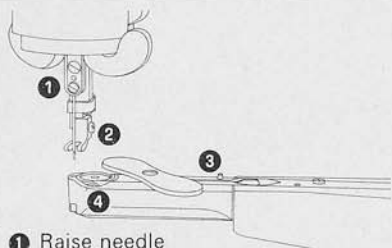
For Darning

- 1 From unwinder
- 2 Under wire guide in oil cup.
- 3 Into tension assembly (lower).
- 4 Through top eyelet.
- 5 Down centre of presser bar.

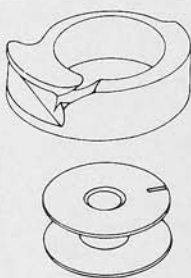


- 1 Thread left to right.

Bobbin Removal and Winding

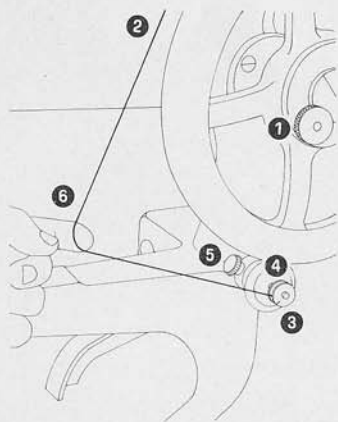


- 1 Raise needle bar.
- 2 Lift presser foot.
- 3 Press lever and turn needle plate.
- 4 Turn hand wheel till point of shuttle is at front. Lift shuttle out.



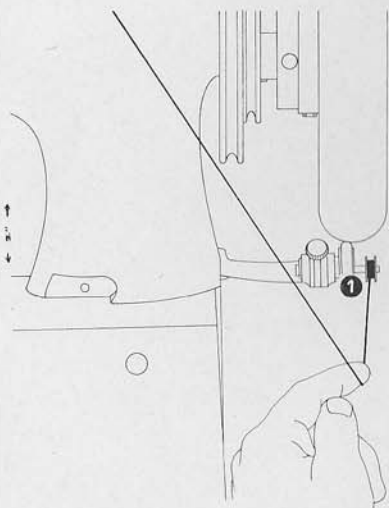
Invert shuttle and bobbin will drop out.

FRONT WIND



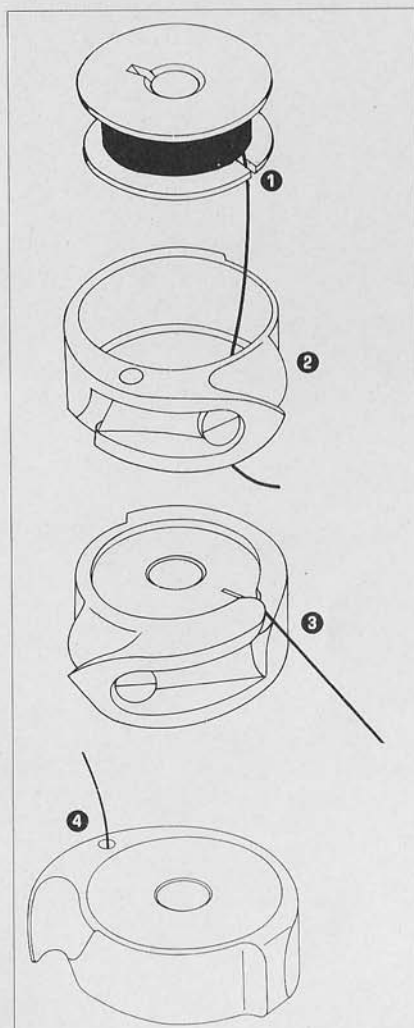
- 1 Disengage hand wheel by extracting plunger.
- 2 Thread from unwinder.
- 3 Thread through hole in centre of bobbin.
- 4 Press bobbin onto spindle as far as it will go with slot to the outside.
- 5 Loosen screw and bring winder into contact with pulley.
- 6 Turn pulley and guide thread as shown.

END WIND



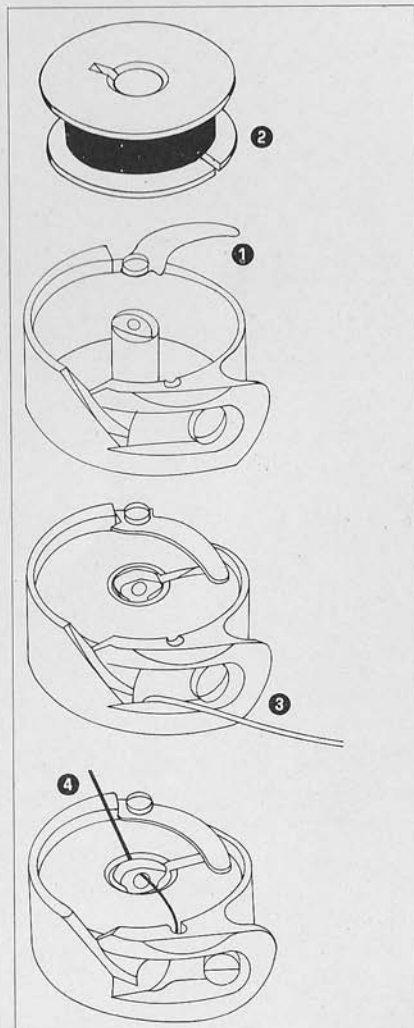
- 1 As with front wind, but slot on bobbin to be on the inside.

Threading Shuttle for 29K71 and 29K73



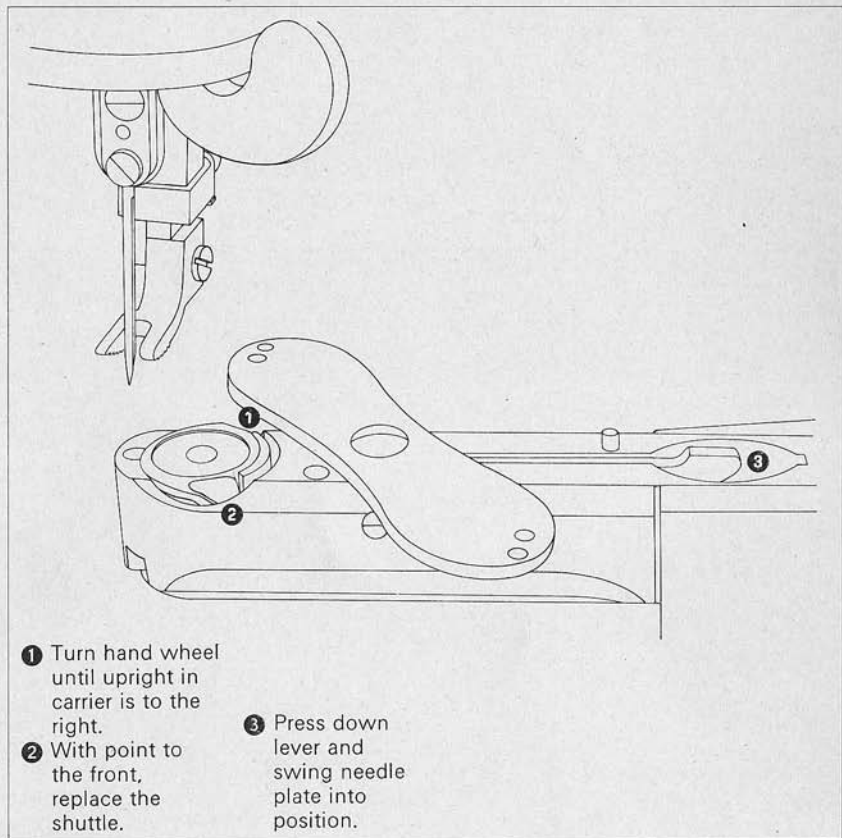
- 1 Bobbin slot at bottom.
- 2 Pass thread through shuttle. Place bobbin in shuttle.
- 3 Invert shuttle draw thread into slot and under spring.
- 4 Pass thread through delivery eye.

Threading Shuttle for 29K72

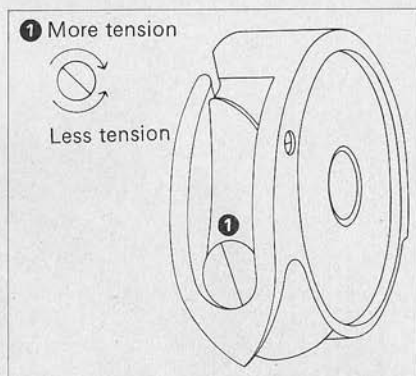


- 1 Swing retaining spring aside.
- 2 Place bobbin in shuttle and replace retaining spring.
- 3 Draw thread down slot, and under spring.
- 4 Thread up through hole and through eye in bobbin post.

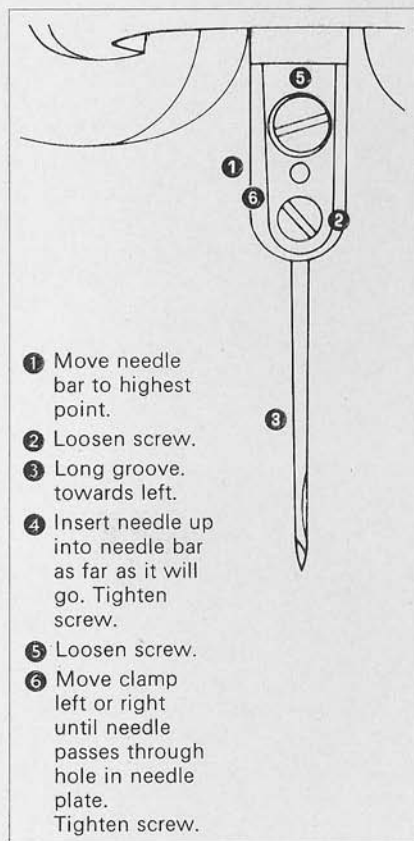
Shuttle Replacement



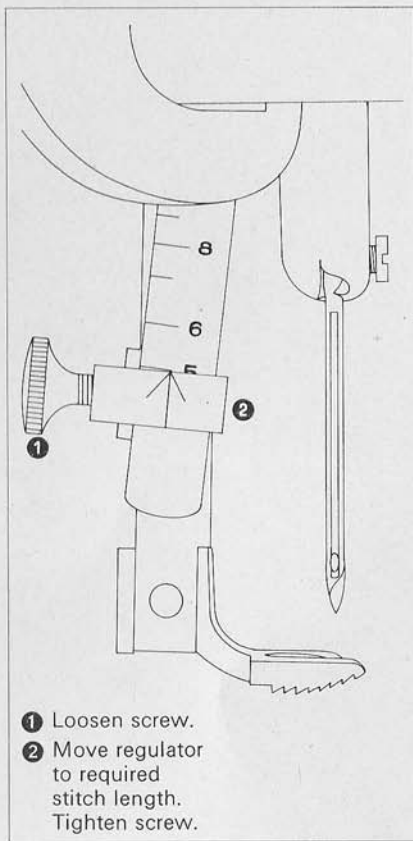
Bobbin Shuttle Tension



Needles



Stitch Length



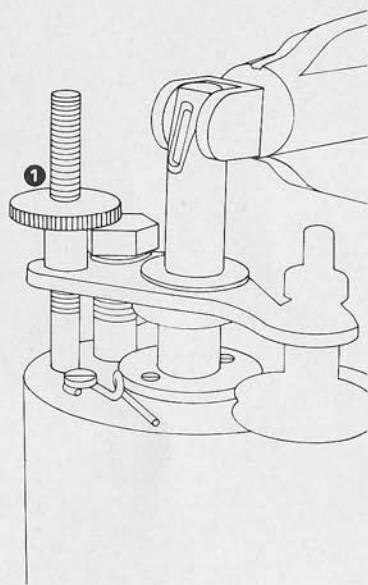
Use Singer needles, Catalogue numbers 3741, 3750 and 3752. The sizes determined by type of material to be sewn, fittings to be used and size of thread. Use left twist thread in needle and either left or right twist in bobbin.

Presser Foot Pressure

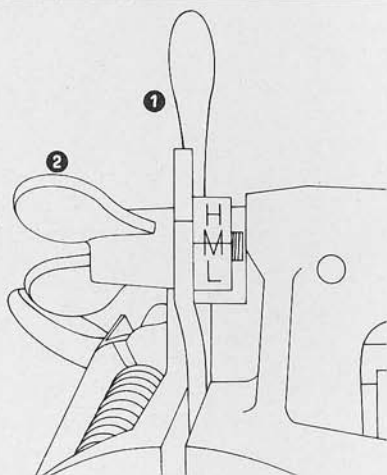
- ① More pressure



Less pressure

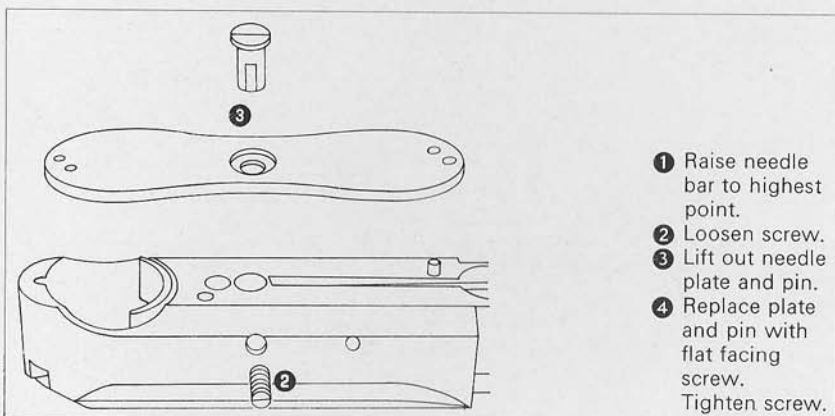


Presser Foot Lift

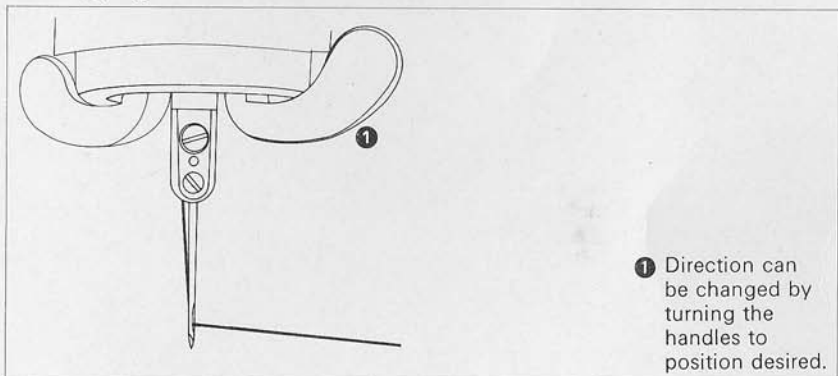


- ① Raise lifter.
- ② Loosen screw and move forward to increase lift, or back to decrease.
- ③ Tighten screw when desired lift is obtained.

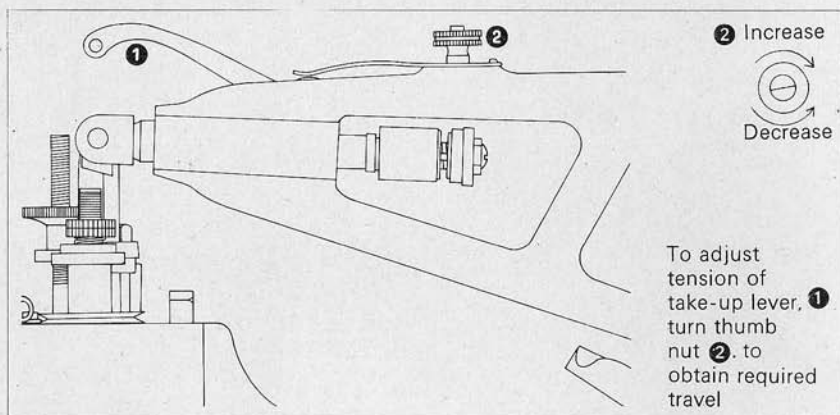
Changing Needle Plate



Changing Direction of Feed



Regulating Take-up Lever with Regulator Indicator



Adjusting Regulator Indicator

